



ASM 380, universal voltage, configurable I/O interface board

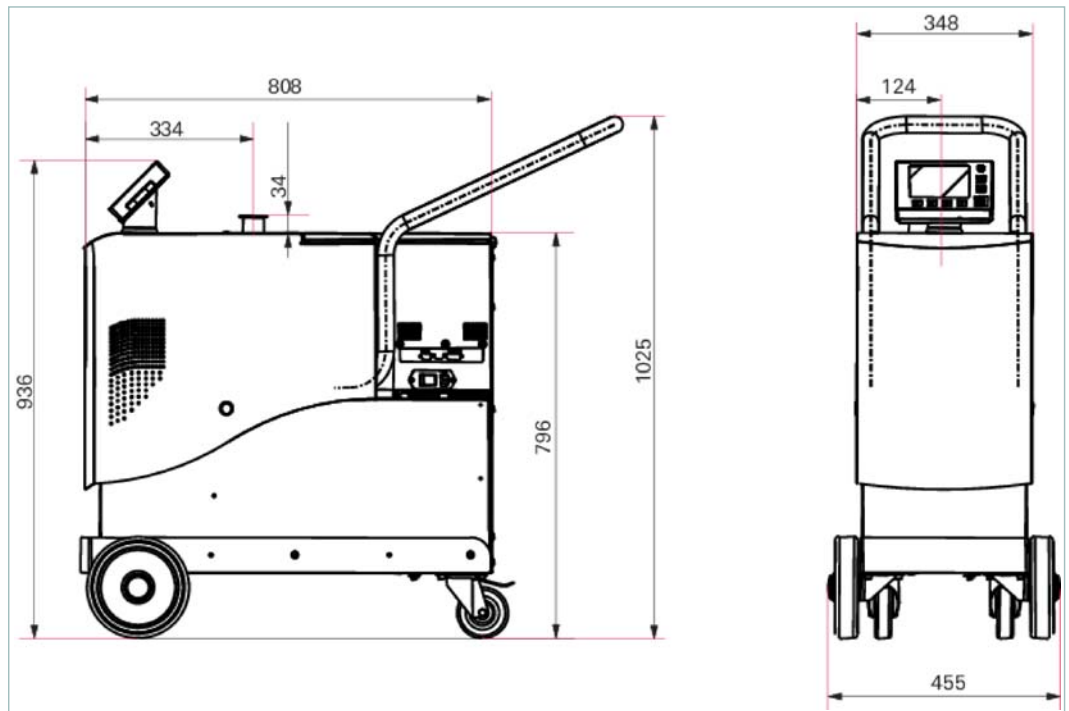


Similar Image

ASM 380, universal voltage, configurable I/O interface board

- High backing pump capacity (35 m³/h) and high helium pumping speed
- Fast time to test: unrivalled performances from small to large volumes
- Narrow design and highly maneuverable
- Customizable operator interface with 360° viewing
- Integrated SD card for data processing
- Fully configurable I/O interface (37 pins D-Sub) to fit to customer needs

Dimensions



Technical Data	ASM 380, universal voltage, configurable I/O interface board
Backing pump	with oil free backing pump
Backing pump capacity	35 m ³ /h
Detectable gases	⁴ He, ³ He, H ₂
Dimensions (L x W x H)	1065 x 455 x 1025 mm
Flange (in)	DN 40 ISO-KF
I/O interfaces	6 Digital inputs (Allocated functions configurable); 3 Analog outputs (Configurable: Helium signal log, Mantissa, Exponent, Inlet pressure); 5 Relays outputs (Allocated functions configurable); 4 Transistor/open collector outputs (Allocated functions configurable)
Interface	RS-232; USB
Max. inlet test pressure	15 hPa
Minimum detectable leak rate for helium (sniffing leak detection)	1 · 10 ⁻⁸ Pa m ³ /s
Minimum detectable leak rate for helium (vacuum leak detection)	5 · 10 ⁻¹³ Pa m ³ /s
Noise level	53 dB(A)
Operating temperature	10 - 35 °C
Power consumption	700 W

Technical Data	ASM 380, universal voltage, configurable I/O interface board
Pumping speed for He	7 l/s
Start-up time (20°C) with calibration	< 5.5 min
Start-up time (20°C) without calibration	< 4.5 min
Supply	90-240 V, 50/60 Hz
Test method	Vacuum and sniffing leak detection
Type	High Performance - Mobile
User interface	Graphic color touch screen (detachable)
Weight	110 kg 242.51 lb

Order number	
ASM 380	PSGB00E2MM9A

Accessories	
Bottle holder	
Bottle holder for ASM 380	118444
Helium spray gun	
Helium spray gun, standard	112535
Helium spray gun "Elite-Kit", spray gun with additional accessories in a compact case	109951
Inlet filters	
Inlet filter, 20 µm, DN 40/40 ISO-KF	105842
Locking clamp	
Locking clamp, DN 40 KF	118801
Sniffer probe	
Sniffer probe, 5 m hose length, rigid 9 cm nozzle	SNC1E1T1
Standard remote control	
Remote control, leak rate in mbar l/s, legend in English	106688
Remote Control RC 500 WL for helium leak detector, wireless	PT 445 432 -T

VACUUM SOLUTIONS FROM A SINGLE SOURCE

Pfeiffer Vacuum stands for innovative and custom vacuum solutions worldwide, technological perfection, competent advice and reliable service.

COMPLETE RANGE OF PRODUCTS

From a single component to complex systems:

We are the only supplier of vacuum technology that provides a complete product portfolio.

COMPETENCE IN THEORY AND PRACTICE

Benefit from our know-how and our portfolio of training opportunities!

We support you with your plant layout and provide first-class on-site service worldwide.

Are you looking for a
perfect vacuum solution?
Please contact us:

Pfeiffer Vacuum GmbH
Headquarters · Germany
T +49 6441 802-0
info@pfeiffer-vacuum.de

www.pfeiffer-vacuum.com

All data subject to change without prior notice.

PFEIFFER  **VACUUM**