



TPR 281, 80 °C, DN 16 ISO-KF

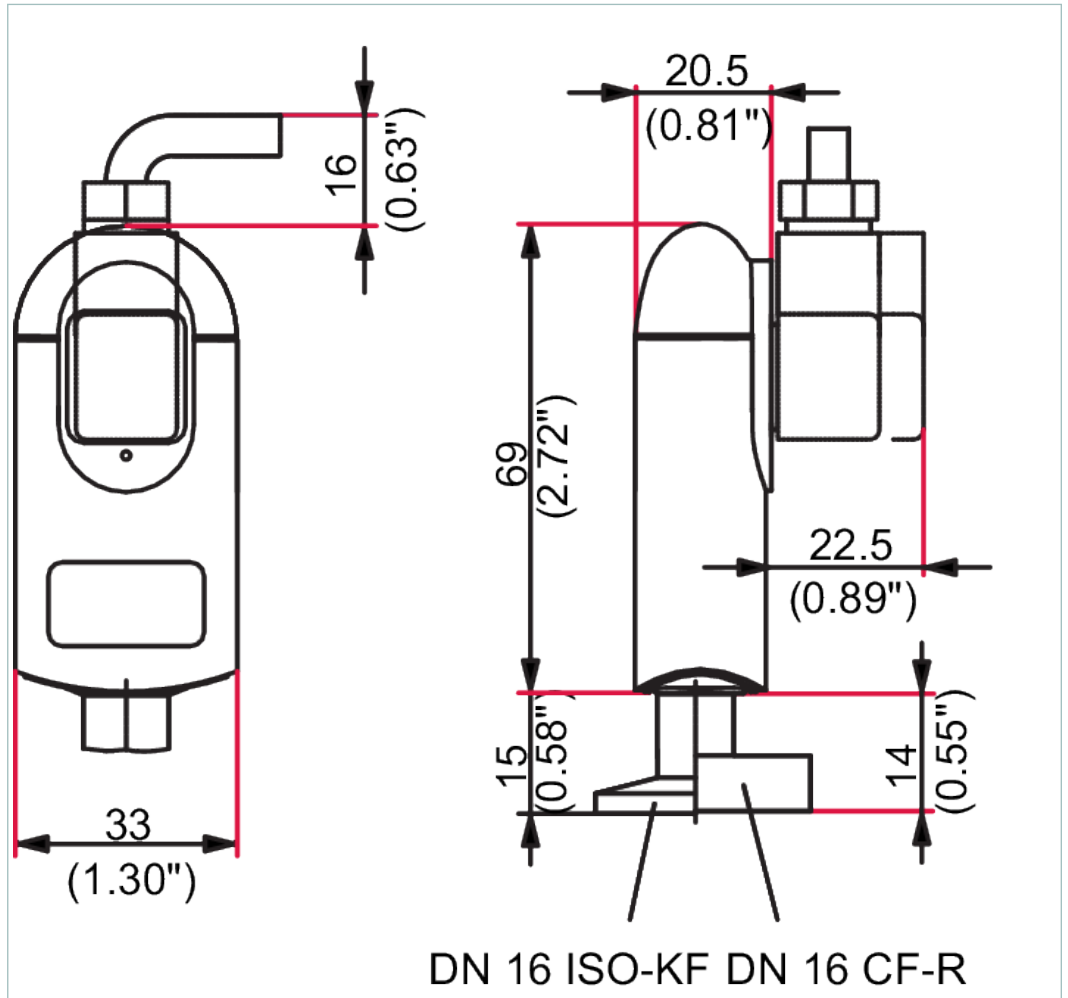


Similar Image

TPR 281, 80 °C, DN 16 ISO-KF

- Flange size: DN 16 ISO-KF
- Compact and rugged
- Maximum pressure refers to inert gases

Dimensions



Technical Data	TPR 281, 80 °C, DN 16 ISO-KF
Accuracy: $1 \cdot 10^{-3} - 100$ hPa	$\pm 15\%$
Bakeout temperature at the flange	80 °C 176 °F 353 K
Feature	For corrosive media
Feedthrough	Glass
Filament	Nickel
Flange, Material	Stainless steel
Measurement range C	$5 \cdot 10^{-4} - 1E3$ hPa
Measurement range max.	$1 \cdot 10^3$ hPa $7.5 \cdot 10^2$ Torr $1 \cdot 10^3$ mbar
Measurement range min.	$5 \cdot 10^{-4}$ hPa $3.75 \cdot 10^{-4}$ Torr $5 \cdot 10^{-4}$ mbar
Method of measurement	Pirani
Nominal diameter	DN 16 ISO-KF
Output signal: Measurement range	2.2 – 8.5 V
Output signal: Minimum load	10 k Ω
Pressure max.	10,000 hPa 7,500 Torr 10,000 mbar

Technical Data	TPR 281, 80 °C, DN 16 ISO-KF
Protection category	IP40
Repeatability: $1 \cdot 10^{-3}$ – 100 hPa	± 2 %
Resolution	1 % of reading
Response time	80 ms
Seal	Metal
Sensor cable length max.	200 m
Supply: Power consumption max.	1 W
Temperature: Operating	5-60 °C 41-140 °F 278-333 K
Temperature: Storage	-20-65 °C -4-149 °F 253-338 K
Volume	1.3 cm ³
Weight	80 g

Order number	
TPR 281	PT R21 950

Accessories	
Accessory	
Mating connector	B 4707 283 MA
Vacuum accessories	
Centering ring with protection filter, pore size 20 µm, FPM/stainless steel	PF 117 216 -T
Centering ring with metal mesh-fine filter, pore size 4 µm, FPM/stainless steel	PT 120 132 -T
Measurement cable	
Sensor cable, 3 m	PT 448 250 -T

VACUUM SOLUTIONS FROM A SINGLE SOURCE

Pfeiffer Vacuum stands for innovative and custom vacuum solutions worldwide, technological perfection, competent advice and reliable service.

COMPLETE RANGE OF PRODUCTS

From a single component to complex systems:

We are the only supplier of vacuum technology that provides a complete product portfolio.

COMPETENCE IN THEORY AND PRACTICE

Benefit from our know-how and our portfolio of training opportunities!

We support you with your plant layout and provide first-class on-site service worldwide.

Are you looking for a
perfect vacuum solution?
Please contact us:

Pfeiffer Vacuum GmbH
Headquarters · Germany
T +49 6441 802-0
info@pfeiffer-vacuum.de

www.pfeiffer-vacuum.com

All data subject to change without prior notice.

PFEIFFER  **VACUUM**