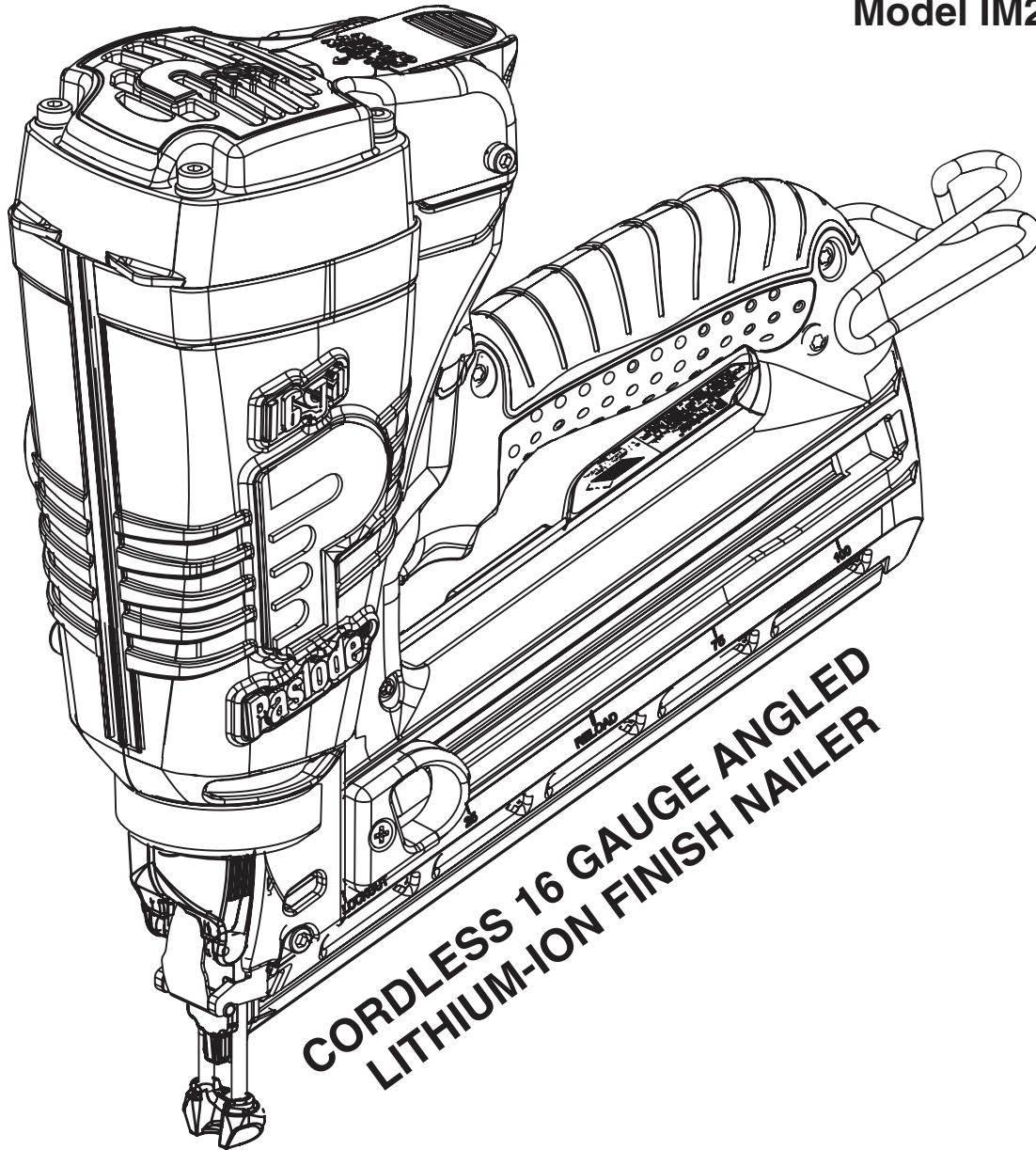




Part No. 902400

Model IM250A Li



**CORDLESS 16 GAUGE ANGLED  
LITHIUM-ION FINISH NAILER**

**IMPORTANT!  
DO NOT DESTROY**

Always refer to operating manual #902451 for detailed information on this tool. It is the customer's responsibility to have all operators and service personnel read and understand this information.

**TOOL SCHEMATIC AND PARTS**

# PARTS LEGEND Cordless 16 ga. Angled Lithium-ion Finish Nailer, 902400

|      |        |   |                                      |      |        |   |                                |
|------|--------|---|--------------------------------------|------|--------|---|--------------------------------|
| 1    | 904555 | 1 | Grille                               | 50   | 902401 | 1 | Handle/Right                   |
| *2   | 900648 | 1 | Filter                               | 51   | 902230 | 1 | Pin-Fuel Door                  |
| 3    | 901064 | 4 | Shoulder Screw 8-32 x 1-3/8"         | 52   | 904544 | 1 | Dosing Lever                   |
| 4    | 902446 | 1 | Cap                                  | 53   | 904550 | 1 | Fuel Door                      |
| 5    | 904557 | 2 | Screw, SHC                           | 54   | 902235 | 1 | Retaining Ring-Pin-Fuel Door   |
| 6    | 901119 | 1 | Retaining Ring                       | 55   | 902434 | 1 | Nut-Utility Hook               |
| 7    | 901112 | 1 | Fan Motor Assembly with ring         | 56   | 902433 | 1 | Button                         |
| *8   | 401356 | 1 | Motor Sleeve                         | 57   | 902431 | 1 | Block-Utility Hook             |
| 9    | 900785 | 1 | Insulator                            | 58   | 902432 | 1 | Spring                         |
| 10   | 900714 | 1 | Spark Plug Assembly                  | 59   | 902435 | 1 | Stop Utility Hook              |
| 11   | 904504 | 1 | Cylinder Head                        | 60   | 902430 | 1 | Utility Hook                   |
| 12   | 904517 | 1 | Fuel Barb                            | 61   | 901044 | 1 | Soft Grip                      |
| 13   | 904546 | 1 | Fuel Tube                            | 62   | 902440 | 1 | Spark Unit (MSU)               |
| 14   | 902406 | 1 | Fuel Block                           | 63   | 900662 | 1 | ESU Power Wire Assembly        |
| 15   | 904521 | 1 | Pivot Arm                            | 64   | 904562 | 1 | Fan Motor Wire Assembly        |
| 16   | 900596 | 1 | SEMS Screw, Torx                     | 65   | 902458 | 1 | Nameplate                      |
| 17   | 900739 | 1 | Cylinder Head Circuit Board Assembly | 66   | 902621 | 1 | Battery Pad                    |
| 18   | 900612 | 4 | Seal Ring                            | 67   | 902439 | 1 | Molded circuit assembly        |
| 19   | 900709 | 1 | Fan Assembly                         | 68   | 900726 | 1 | Switch Slide Assembly          |
| 20   | 900700 | 1 | Air Dam                              | 69   | 900792 | 2 | Soc. Hd. Shoulder Screw 8-32   |
| 21   | 900729 | 1 | Combustion Chamber                   | 70   | 404702 | 2 | Screw 6-32 x 3/8'              |
| 22   | 900707 | 2 | Probe Bumper                         | 71   | 904567 | 1 | Spark Wire Assembly            |
| 23   | 900746 | 2 | Screw, #8-32 x 7/16                  | 72   | 901053 | 1 | Trigger Spring                 |
| 24   | 900704 | 1 | Yoke                                 | 73   | 901045 | 1 | Trigger Body                   |
| 25   | 900734 | 1 | Roll Pin                             | 74   | 901047 | 1 | Dowel pin, Trigger             |
| 26   | 900804 | 2 | Spring Guide Assembly                | 75   | 900629 | 1 | Clip/ High Tention             |
| 27   | 902437 | 1 | Knob w/ Yoke Guide Assembly          | 76   | 900770 | 1 | Brad Channel                   |
| 28   | 902424 | 1 | Probe                                | 77   | 902404 | 1 | Magazine Extrusion             |
| *29  | 902425 | 1 | Probe Tip                            | 78   | 902421 | 1 | Nose                           |
| 30   | 900688 | 1 | Latch Cover, Quick Clear             | 79   | 900631 | 1 | Spring, Lockout                |
| 31   | 900619 | 1 | Dowel Pin                            | 80   | 900602 | 1 | Lockout Bar                    |
| 32   | 902422 | 1 | Front Plate                          | 81   | 900630 | 1 | Lockout Pin                    |
| 33   | 900685 | 1 | Dowel Pin                            | ■ 82 | 900660 | 2 | Screw 10-32 x 3/8"             |
| 34   | 902426 | 1 | Quick Clear Lever Assembly           | 83   | 900692 | 1 | Retaining Cup                  |
| 35   | 405140 | 4 | Screw 8-32 x 3/8" (red)              | 84   | 900708 | 2 | SHC Screw 8-32 x 1/2" (Red)    |
| 36   | 900668 | 1 | Muffler Cover                        | 85   | 904550 | 1 | SHC Screw 8-32 x 1/2" (Yellow) |
| 37   | 900609 | 1 | Muffler                              | 86   | 900722 | 1 | Follower Pin                   |
| 38   | 900664 | 1 | Reed Valve                           | 87   | 900679 | 1 | Follower                       |
| 39   | 900665 | 1 | Reed Plate                           | 88   | 900691 | 1 | Compression Spring             |
| 40   | 901089 | 1 | Exhaust Baffle                       | 89   | 900627 | 1 | Negator Spring                 |
| 41   | 900616 | 1 | Exhaust O-Ring                       | 90   | 900720 | 1 | Follower Core                  |
| 42   | 403099 | 1 | Retaining Ring                       | 91   | 900617 | 1 | Follower Body                  |
| 43   | 403098 | 1 | Piston Ring                          | 92   | 900724 | 1 | Screw, Plastite 8-16 x 5/8"    |
| *44  | 900728 | 1 | Piston Assembly                      | 93   | 901066 | 4 | Screw, Plastite 8-16 x 3/4"    |
| *45  | 900680 | 1 | Piston Bumper                        | 94   | 902417 | 1 | Nail Load Indicator Label      |
| 46   | 902402 | 1 | Label, Li-ion+Fuel                   | 95   | 902441 | 2 | Logo Label "16 Ga."            |
| **47 | 902444 | 1 | Warning & Instruction Label          | 96   | 902442 | 2 | Logo Label "P"                 |
| 48   | 902416 | 1 | Depth of Drive Indicator Label       | 97   | 902443 | 2 | Logo Label "Paslode"           |
| 49   | 900620 | 1 | Front Channel                        | 98   | 902403 | 1 | Handle, Left                   |
|      |        |   |                                      | 99   | 902456 | 1 | Cyliner sleeve assembly        |

\* Indicates normal wear items

\*\* Make sure Warning Label (902444) is properly affixed replace if necessary. Label is available at no charge through the Service Dept.

→ Denotes New Change

■ Apply Loctite RC-620 (Green) Part No. 401491

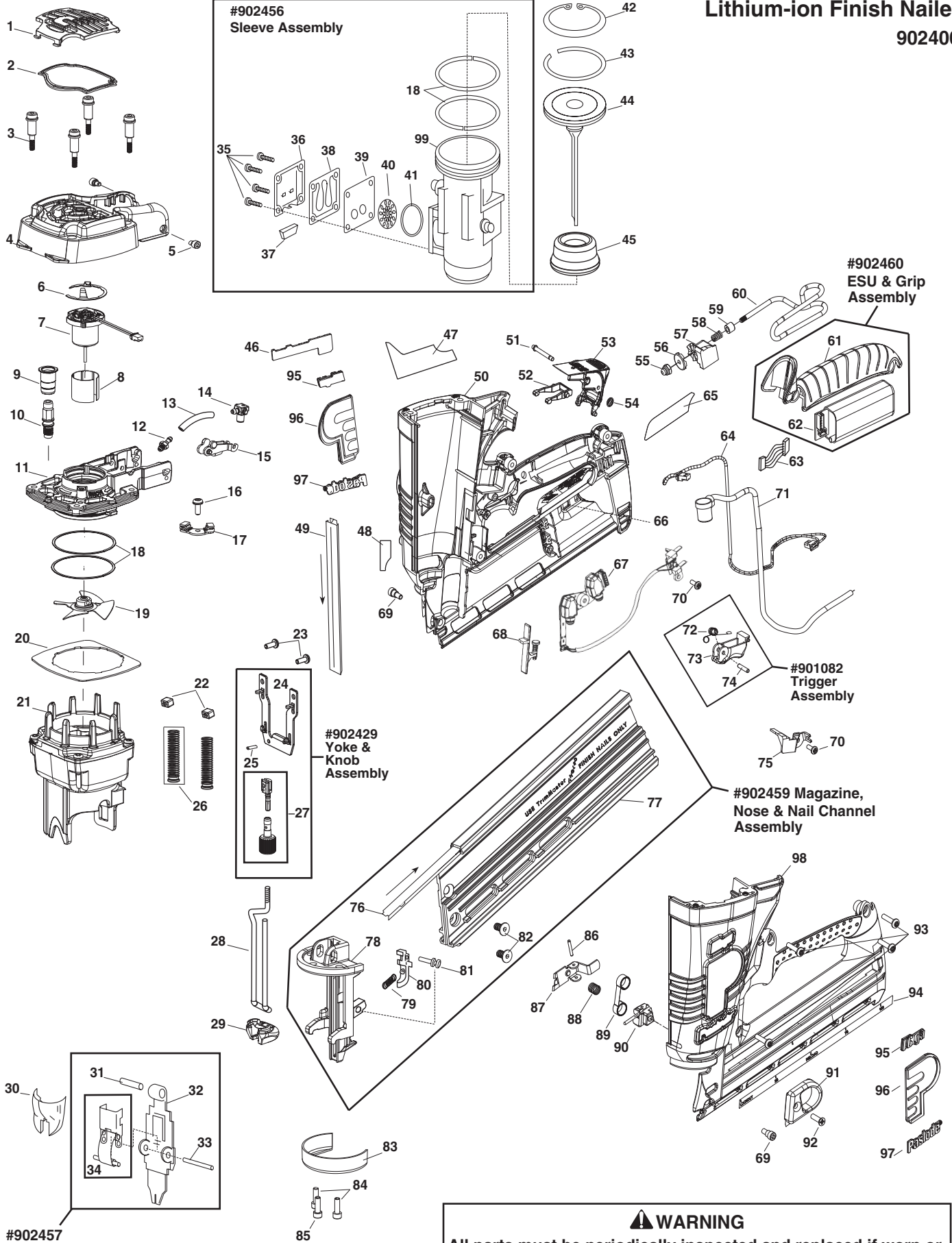
## SAFETY INSTRUCTIONS

### WEAR EYE AND HEARING PROTECTION



Always wear hearing protection and eye protection devices, including side shields when operating or working in the vicinity of a tool.

# Cordless 16 ga. Angled Lithium-ion Finish Nailer 902400



**⚠ WARNING**  
All parts must be periodically inspected and replaced if worn or broken. Failure to do this can affect the tool's operation and present a safety hazard.

# ACCESSORIES

---

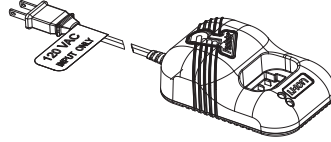
## Battery



Part No. 902654

---

## Battery Charger



Part No. 902667

---

## 9/64" Hex Key



For cleaning tool.

Part No. 900736

---

## Clear Safety Glasses



Part No. 401382

---

## Tool Cleaner



Ideal cleaner for all Paslode® tools.

Part No. 219348

---

## Paslode Cordless Lubricating Oil



Specially formulated for use in Paslode® Cordless tools.

Part No. 401482

---

## Carrying Case



Part No. 902445

---

## Green Loctite

Part No. 401491

---

## Bumper Removal Tool

Part No. 900760

---