



PKR 251, FPM sealed, DN 25 ISO-KF

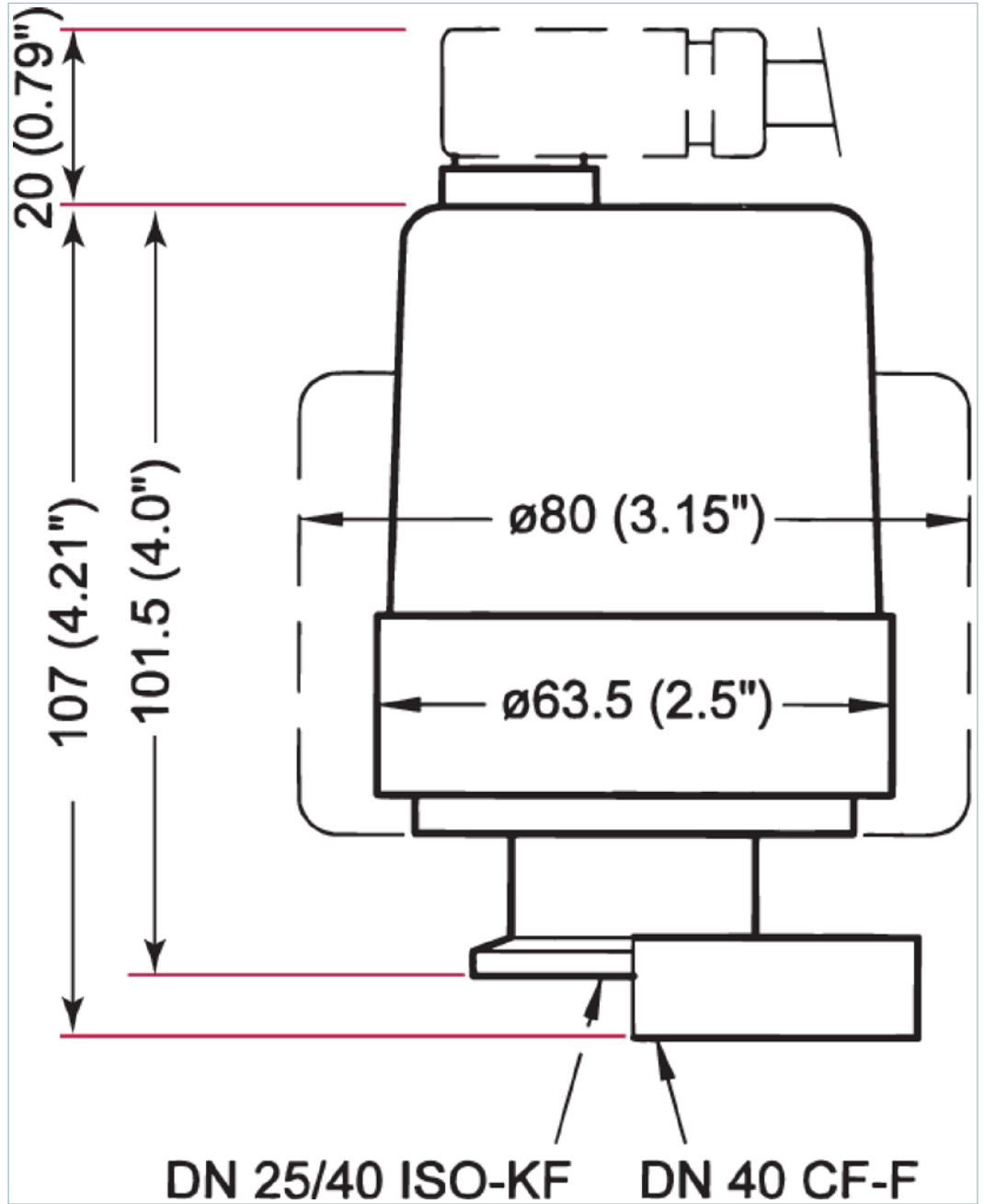


Similar Image

PKR 251, FPM sealed, DN 25 ISO-KF

- Flange size: DN 25 ISO-KF
- Maximum pressure refers to inert gases and temperatures of less than 55 °C
- Corrosion-resistant
- Ultimate pressure and temperature range for inert gases is ≤ 55 °C

Dimensions



Technical Data	PKR 251, FPM sealed, DN 25 ISO-KF
Accuracy: $1 \cdot 10^{-8} - 1 \cdot 100$ hPa	± 30 %
Ambient temperature	5-55 °C 41-131 °F 278-328 K
Anode	Molybdenum

Technical Data	PKR 251, FPM sealed, DN 25 ISO-KF
Bakeout temperature	Electronic removed, ≤ 150 °C
Feature	Interior FPM sealed
Feedthrough	Al ₂ O ₃ , Glass
Filament	Tungsten
Flange, Material	Stainless steel
Measurement range C	5 · 10 ⁻⁹ – 1 · 10 ³ hPa
Measurement range max.	1 · 10 ³ hPa 7.5 · 10 ² Torr 1 · 10 ³ mbar
Measurement range min.	5 · 10 ⁻⁹ hPa 3.75 · 10 ⁻⁹ Torr 5 · 10 ⁻⁹ mbar
Method of measurement	Pirani/Cold Cathode
Nominal diameter	DN 25 ISO-KF
Output signal: Measurement range	1.8 – 8.6 V
Output signal: Minimum load	10 kΩ
Pressure max.	10,000 hPa 7,500 Torr 10,000 mbar
Repeatability: 1 · 10 ⁻⁸ – 100 hPa	± 5 %
Seal	FKM
Sensor cable length	300 m
Sensor cable length max.	300 m
Supply: Power consumption max.	2 W
Supply: Voltage V DC	15 – 30 V DC
Temperature: Storage	-40-65 °C -40-149 °F 233-338 K
Volume	20 cm ³
Weight	700 g

Order number	
PKR 251	PT R26 000

Accessories	
Adapters (electrical) Adapter Measurement	
Mating connector	B 4707 283 MA
Cables Measurement cables	
Sensor cable, 3 m	PT 448 250 -T