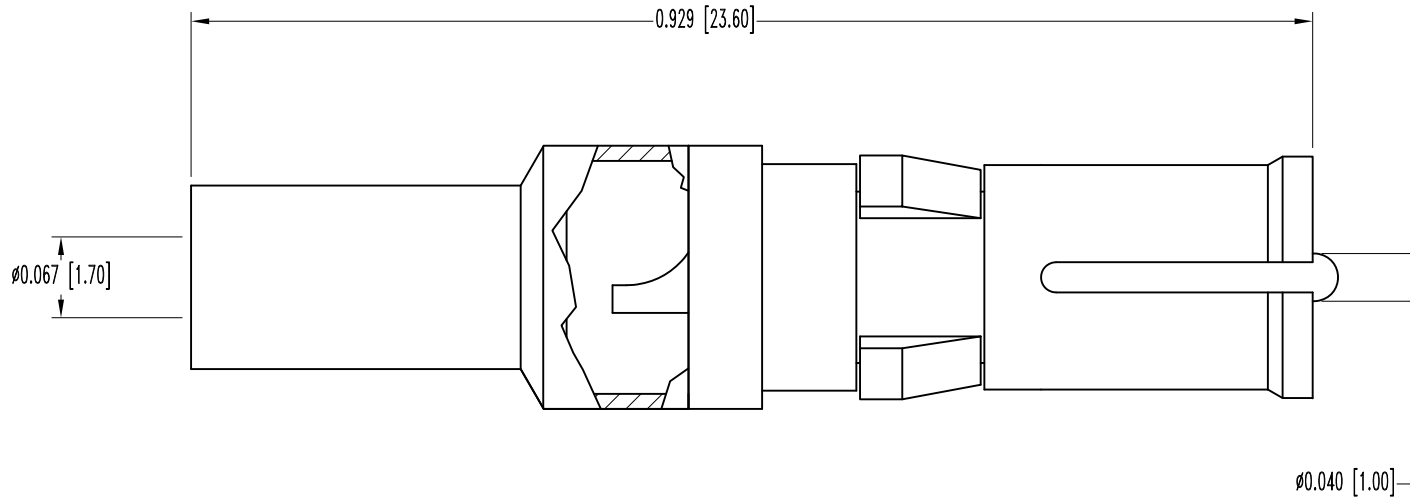


SK6758

THIS DRAWING CONTAINS INFORMATION PROPRIETARY TO POSITRONIC AND ITS SUBSIDIARIES. POSITRONIC BELIEVES THE DATA ON THIS DRAWING TO BE RELIABLE, SINCE THE TECHNICAL INFORMATION IS GIVEN FREE OF CHARGE, THE USER EMPLOYS SUCH INFORMATION AT HIS OWN DISCRETION AND RISK. POSITRONIC ASSUMES NO RESPONSIBILITY FOR RESULTS OBTAINED OR DAMAGES INCURRED FROM USE OF SUCH INFORMATION IN WHOLE OR IN PART.

DATE	REV	REVISION RECORD	APP	DR	CK
11-29-05	NC	ECO 25113	RW	YK	COLE
11-8-11	A	ECO 34707	COLE	BE	COLE



NOTES:

1. MATERIAL: PRECISION MACHINED COPPER ALLOY WITH PTFE TEFLON INSULATOR.
2. FINISH: SIGNAL CONTACT-0.000030 [0.75 $\mu$ ] GOLD OVER NICKEL. CONTACT BODY-GOLD FLASH OVER NICKEL.
3. DETAILED PRODUCT, ELECTRICAL, AND MECHANICAL INFORMATION IS AVAILABLE IN THE LATEST STANDARD DENSITY COMBO-D PRODUCT PUBLICATION. VISIT [CONNECTPOSITRONIC.COM/PRODUCTS/1/STANDARD DENSITY COMBO-D](http://CONNECTPOSITRONIC.COM/PRODUCTS/1/STANDARD DENSITY COMBO-D) OR [CONNECTPOSITRONIC.COM](http://CONNECTPOSITRONIC.COM).
4. CONTACTS ARE ROHS COMPLIANT PER ROHS DIRECTIVE 2002/95/EC OF 27 JAN 2003.
5. DIMENSIONS ARE IN INCHES [MILLIMETERS].

 <b>POSITRONIC INDUSTRIES INC.</b> www.connectpositronic.com		<b>FSCM 28198</b>	
ANGULAR TOL. $\pm 5^\circ$	DATE <b>11-29-05</b>	DRAWING NUMBER <b>SK6758</b>	REV. <b>A</b>