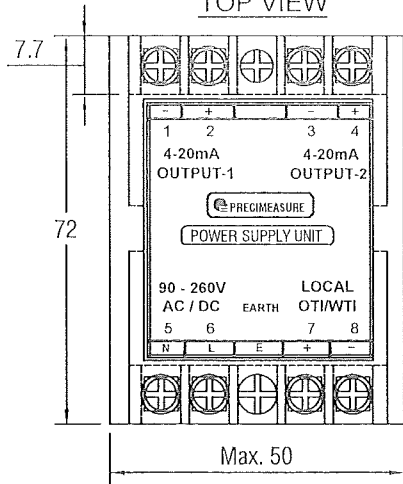


TOP VIEW

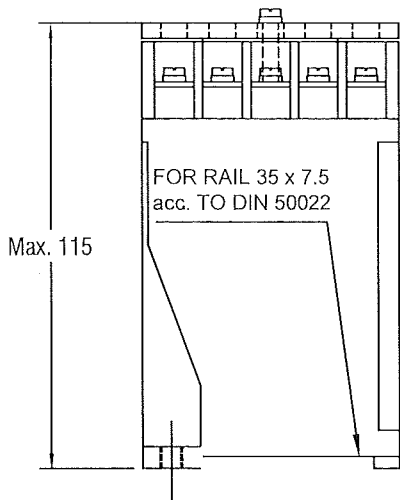


NOTE:

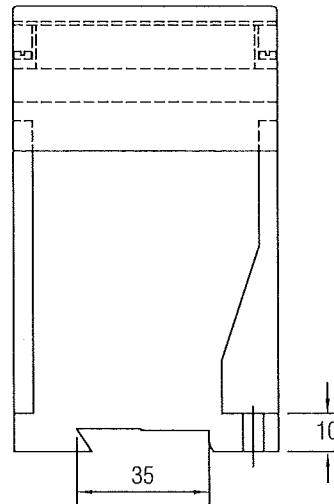
OUTPUT-1: 600 ohms Burden# (for Remote indicator)
 OUTPUT-2: 600 ohms Burden# (for SCADA/DAS)

BURDEN INCLUDING LOOP RESISTANCE

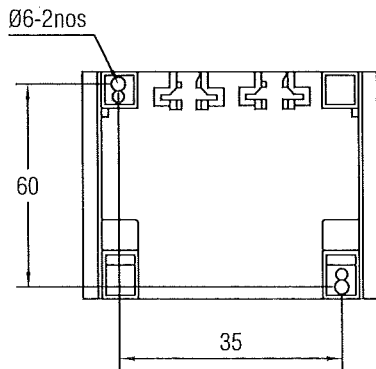
FRONT VIEW



SIDE VIEW



BOTTOM VIEW



NOTE :

PROTECTION CLASS CASING IP40
 PROTECTION CLASS TERMINAL IP10
 TEMPERATURE RANGE : -40°C TO +60°C
 MAX. LEAD DIMN. : 4mm²

ORIGINAL
IF IN RED

ALL DIMENSIONS ARE IN MILLIMETRES UNLESS OTHERWISE STATED

* GEN. NOTE: SHARP EDGES NOT ALLOWED.

MATERIAL: MOULDED IN (ABS)
FINISH: -----

| | | | |
|---------|------|-----------------------|----------|
| 1 | -- | TOP VIEW & BURDEN CHD | 07.04.16 |
| REV.No. | ZONE | BRIEF RECORD | DATE |



| | | |
|----------|--------------------|----------|
| PREPARED | DHANRAJ | 28.01.13 |
| CHECKED | <i>[Signature]</i> | 31/7/17 |
| APPROVED | <i>[Signature]</i> | 31/7/17 |

SCALE:
N.T.S.

TITLE:
 OVERALL DIMENSIONS OF POWER SUPPLY
 UNIT FOR HYBRID MODELS

DRAWING NUMBER
6300-174/R1

QTY/UNIT

SUPERSEDES -----

1 No.

