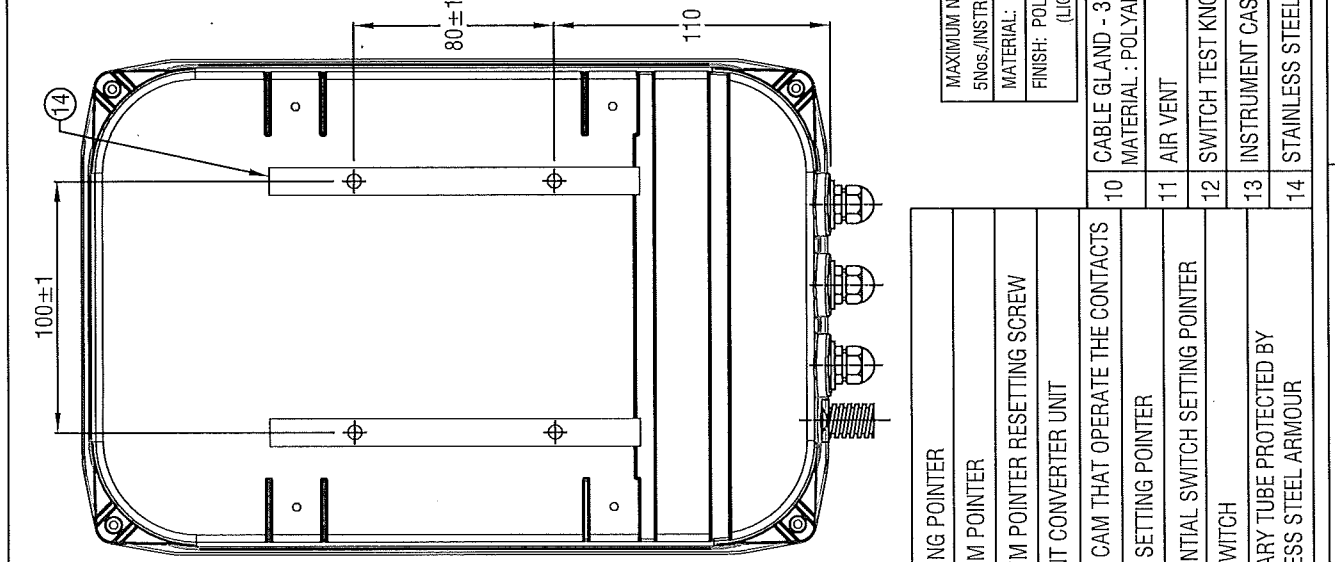
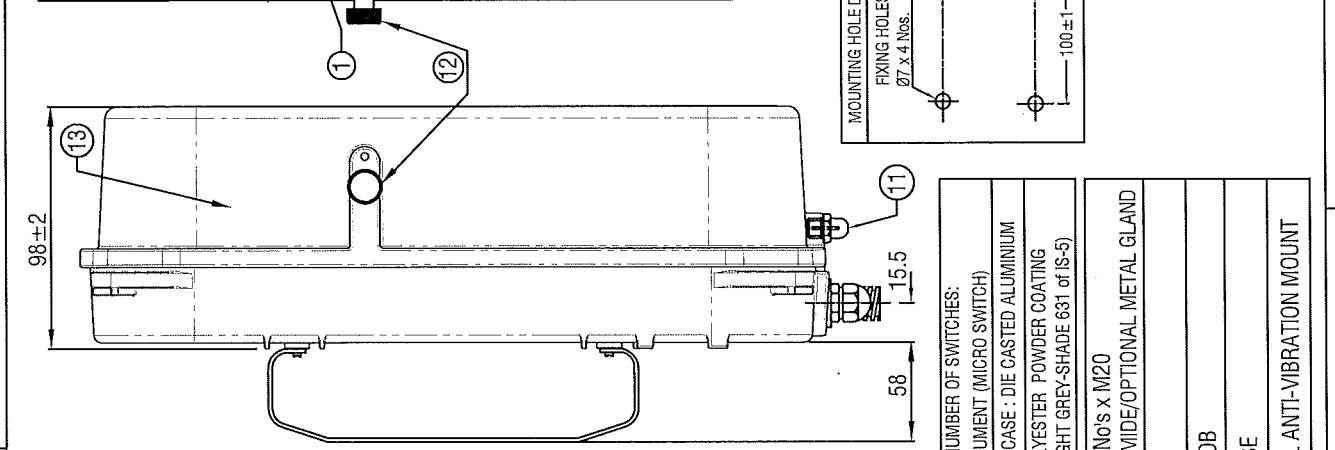
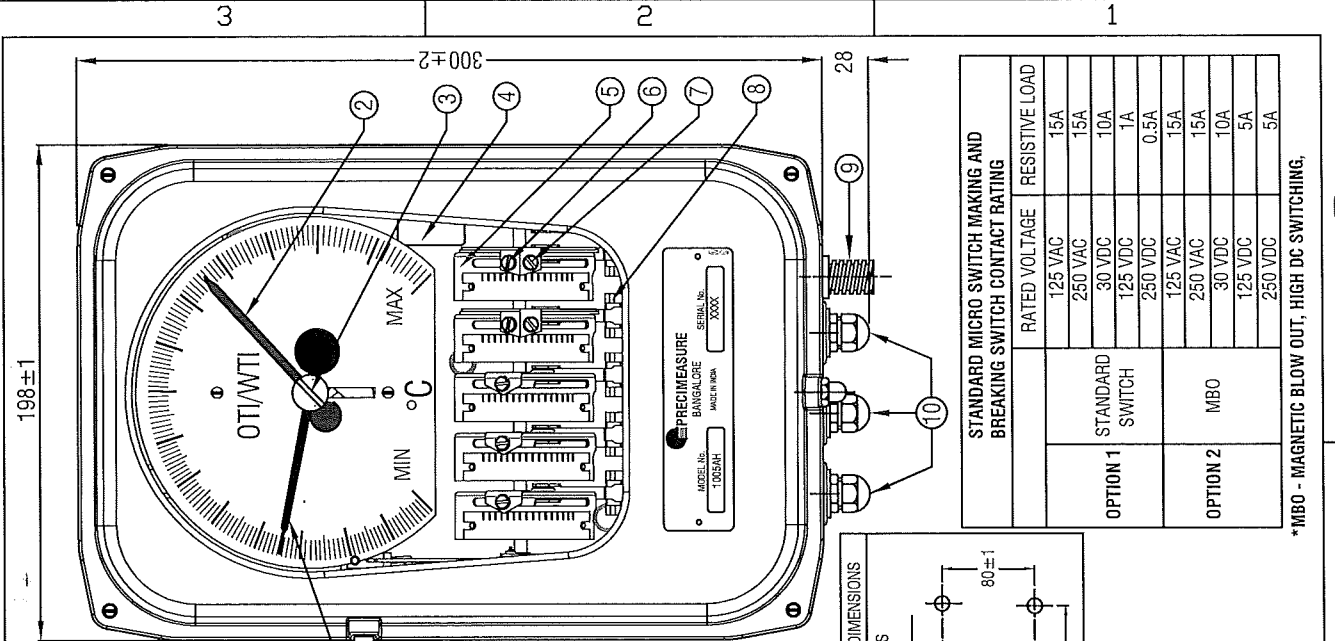
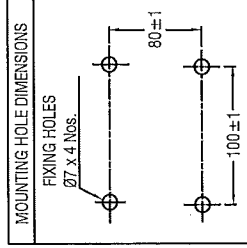


**ORIGINAL**  
IF IN RED



STANDARD MICRO SWITCH MAKING AND BREAKING SWITCH CONTACT RATING		RATED VOLTAGE	RESISTIVE LOAD
OPTION 1	STANDARD SWITCH	125 VAC	15A
		250 VAC	15A
		30 VDC	10A
OPTION 2	MBO	125 VDC	1A
		250 VDC	0.5A
		125 VAC	15A
		250 VAC	15A
		30 VDC	10A
		125 VDC	1A
		250 VDC	0.5A



10	CABLE GLAND - 3No's x M20
11	AIR VENT
12	SWITCH TEST KNOB
13	INSTRUMENT CASE
14	STAINLESS STEEL ANTI-VIBRATION MOUNT

1	INDICATING POINTER
2	MAXIMUM POINTER
3	MAXIMUM POINTER RESETTING SCREW
4	CURRENT CONVERTER UNIT
5	SWITCH CAM THAT OPERATE THE CONTACTS
6	SWITCH SETTING POINTER
7	DIFFERENTIAL SWITCH SETTING POINTER
8	MICROSWITCH
9	CAPILLARY TUBE PROTECTED BY STAINLESS STEEL ARMOUR

ALL DIMENSIONS ARE IN MILLIMETRES UNLESS OTHERWISE STATED

\*GEN. NOTE: SHARP EDGES NOT ALLOWED. TOLERANCE MEDIUM IS : 2102

1	-	SWITCH RATING OPTIONS ADDED	24.05.16
REV.No.	ZONE	BRIEF RECORD	DATE



SCALE: N.T.S. TITLE: OVERALL DIMENSION OF TEMPERATURE INDICATOR / CONTROLLER OF OTI/WTI MODEL No.: 1005AH WITH SS MOUNTING CLAMP (BOTTOM ENTRY)

MATERIAL: AS ABOVE  
FINISH: AS ABOVE

PREPARED	D#ANKRaj	17/05/2011
CHECKED		24/5/16
APPROVED		24/5/16

DRAWING NUMBER	3332/R1	QTY/UNIT
SUPERSEDES	-----	1 No.