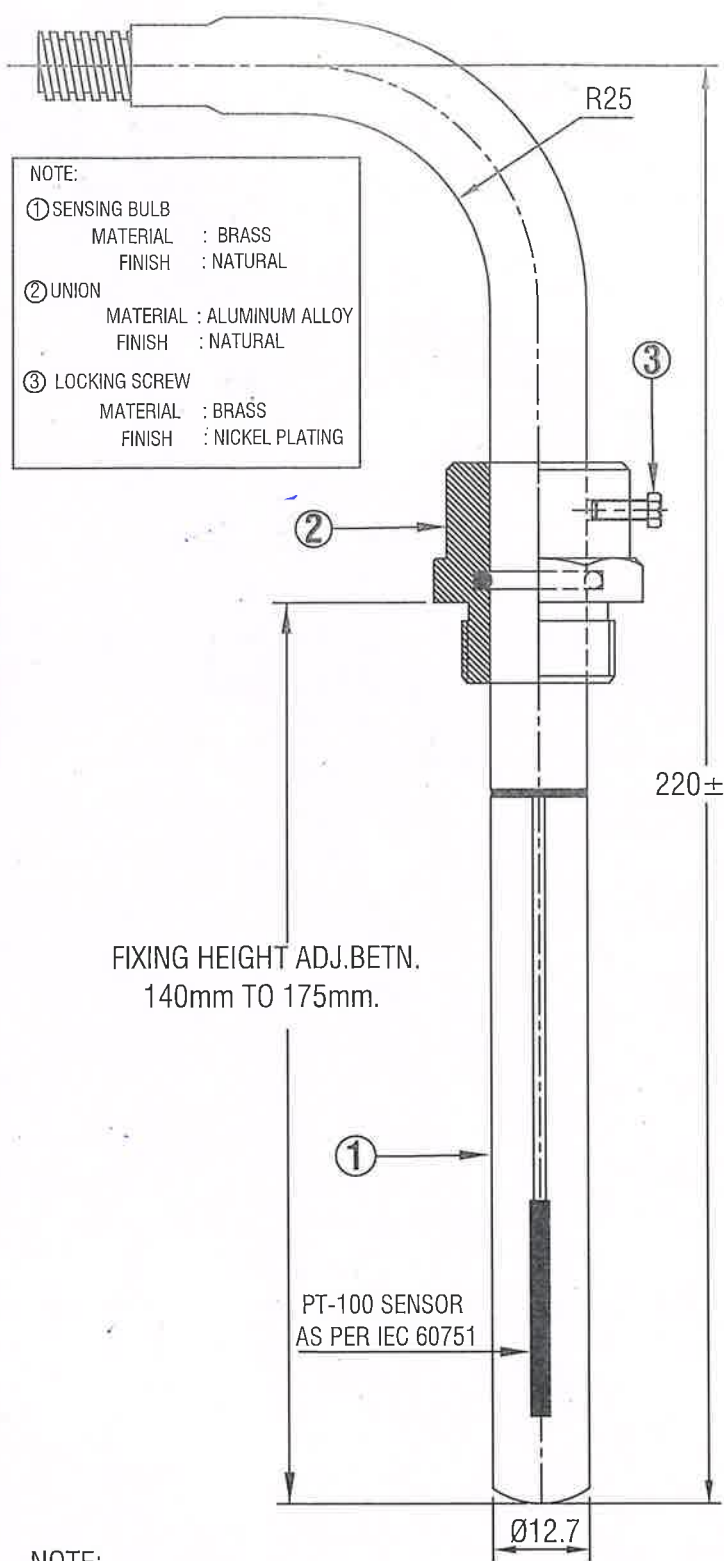


**ORIGINAL
IF IN RED**

NOTE:
 ① SENSING BULB
 MATERIAL : BRASS
 FINISH : NATURAL
 ② UNION
 MATERIAL : ALUMINUM ALLOY
 FINISH : NATURAL
 ③ LOCKING SCREW
 MATERIAL : BRASS
 FINISH : NICKEL PLATING



NOTE:
 1. ALL JOINTS SILVER BRAZED

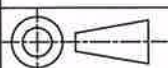
ALL DIMENSIONS ARE IN MILLIMETRES UNLESS OTHERWISE STATED

* GEN. NOTE: SHARP EDGES NOT ALLOWED. TOLERANCE MEDIUM :2102.

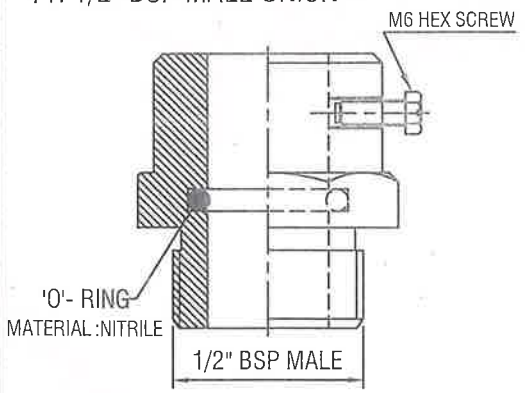
1	--	UNION MATERIAL ZAMAK CHD TO ALUMINUM ALLOY.	23.02.21
REV.No.	ZONE	BRIEF RECORD	DATE



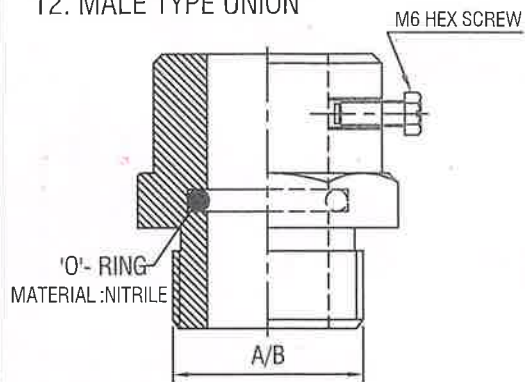
SCALE: N.T.S
 TITLE: SENSING BULB FOR LOCAL OTI/WTI WITH EMBEDDED PT-100 SENSOR (SIMPLEX TYPE)
 Range:0-150°C\0-160°C\20-140°C



T1. 1/2" BSP MALE UNION

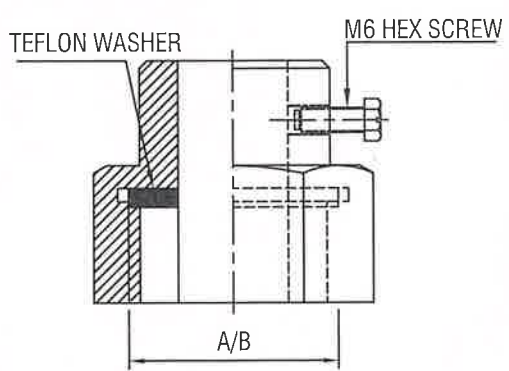


T2. MALE TYPE UNION



A	3/4" BSP (MALE)
B	1" BSP (MALE)

T3. FEMALE TYPE UNION



A	1/2" BSP (FEMALE)
B	3/4" BSP (FEMALE)

MATERIAL: AS ABOVE
 FINISH: AS ABOVE

PREPARED	Sreenivas	29.3.2001
CHECKED	<i>[Signature]</i>	23/2/21
APPROVED	<i>[Signature]</i>	23/2/21

DRAWING NUMBER
1088/R1

DRG TYPE: STANDARD / CUSTOMIZED
 QTY/UNIT: 1 No.