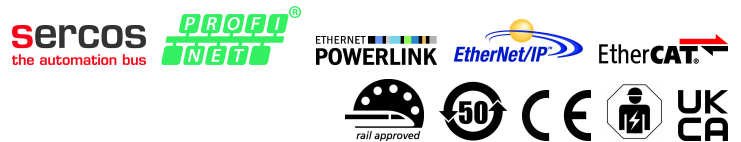
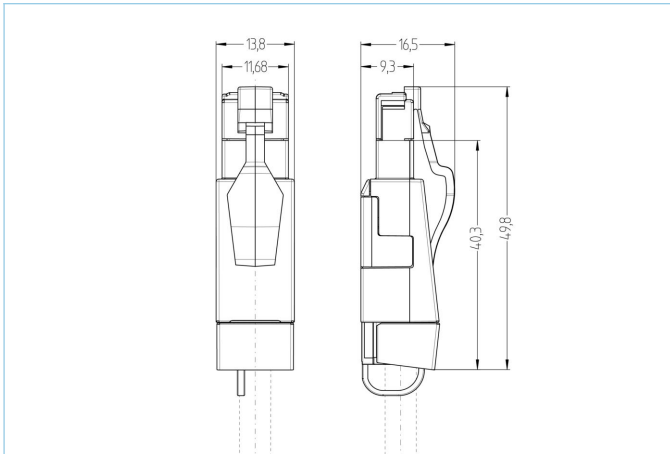


Field-wireable, RJ45, male, straight, 8 poles, insulation displacement contact, shielded, 50V 1A



Product data	
Item description	IE-RJ45SCS8
Item-No.	8065955
Customs tariff-No.	85366990
Step-File	IE-RJ45SCS8.stp
EAN	4047106152956
Technical data	
Connector	male, straight, RJ45
Number of pins	8
Allocation	Industrial, T568B, T568A
Coding	A
Rated voltage	60V
Current load per pin (at 40°C)	1A
Insulation resistance	$\geq 5^{\circ}\Omega$
Transmission features	Cat6A
Ambient temperature product	-40°C...+85°C
Contact material	Metal, CuSn, gold-plated
Contact-carrier material	Plastic, PA UL94-V0, BK
Material of shielding housing	Zinc die-cast
Shielding	with shielding
Connecting cross-section	AWG27/7 – AWG22/7 (0,46-0,76 mm) AWG26/1 – AWG22/1 (0,4-0,64 mm)
Cable outlet	5,5...10,5 mm
Connecting type	Insulation displacement contact
Standards	IEC 60603-7-51
Degree of protection (mounted)	IP20
Mechanical life-cycle	>750 mating cycles
Degree of pollution	1
Style	straight

Advanced technical data rail approved

Standards	DIN EN 50155, DIN EN 45545-2
Shock & vibration	Class 1, Category B (DIN EN 61373)
Degree of protection (mounted)	IP20
Temperature range	Tx (-40°C...+90°C)
Fire prevention according to	DIN EN 45545-2 HL1-3

Classification

eCl@ss 6.0	27260702
eCl@ss 7.0	27440102
eCl@ss 8.0	27440102
eCl@ss 9.0	27440102
ETIM 5.0	EC002635
ETIM 6.0	EC002635

Accessories

Assembly, M12 male fieldwireable
https://www.escha.net/media/storage/Assembly_8065955_RJ45_fieldwireable.pdf

Link to product

<https://www.escha.net/de/Produkte/Standard/Konfektionierbare-Steckverbinder/8065955>