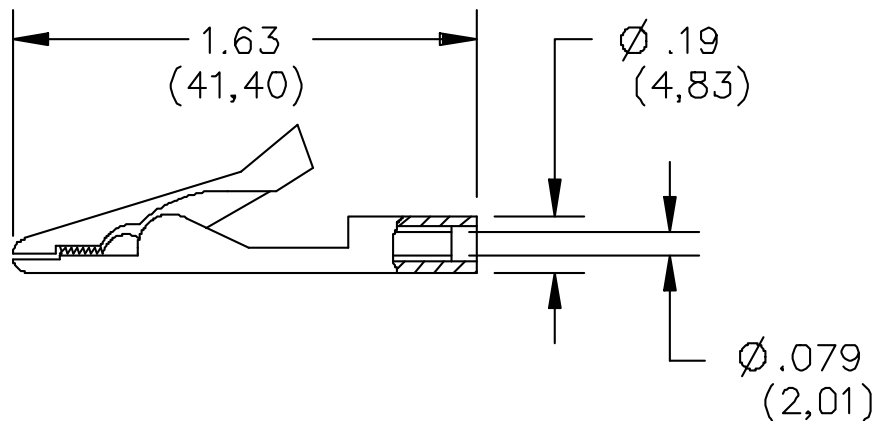


Model 5788 Insulated Miniature Alligator Test Clip With 2MM Banana Jack



FEATURES:

- Alligator has 6,1mm (.240") max. jaw opening.
- Female receptacle allow quick attachment to 2 mm (.080") non-sheathed plug test leads.
- Overall length of 41,5 mm (1.63") allows alligator access to small access areas.
- Alligator body is insulated for user protection.

MATERIAL:

Body: Copper Alloy, Plated

Insulation: Polypropylene, Colors per part number

RATINGS:

Operating Voltage: 45 VRMS/DC

Operating Temperature: +80°C (+176°F) Max.

ORDERING INFORMATION: Model 5788-*

* = Color, -0 Black, -2 Red

Sold in packs of 10 pieces per color.

All dimensions are in inches. Tolerances (except noted): .xx = $\pm .02$ " (.51 mm), .xxx = $\pm .005$ " (.127 mm).
All specifications are to the latest revisions. Specifications are subject to change without notice.
Registered trademarks are the property of their respective companies. Made in USA

Mouser Electronics

Authorized Distributor

Click to View Pricing, Inventory, Delivery & Lifecycle Information:

[Pomona:](#)

[5788-2](#) [5788-0](#)